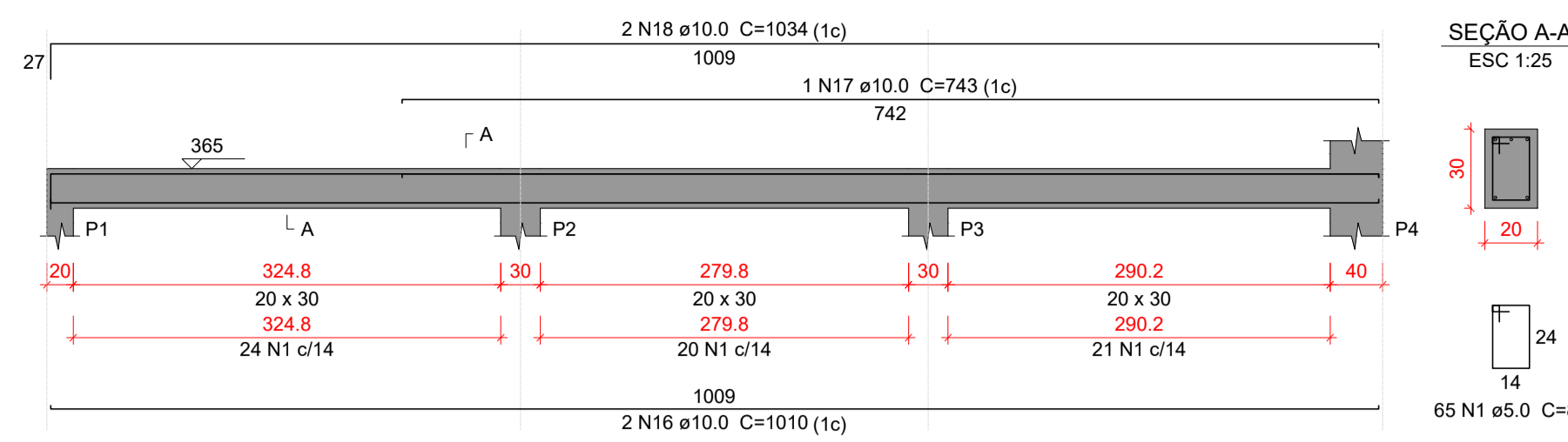
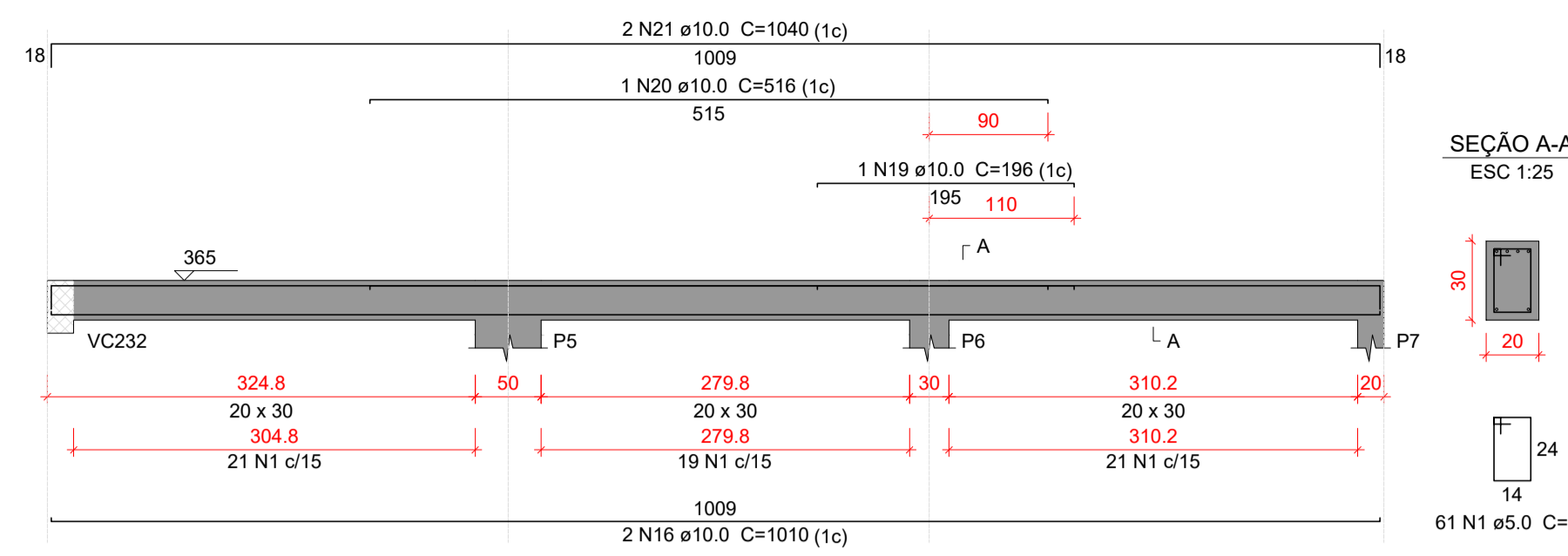


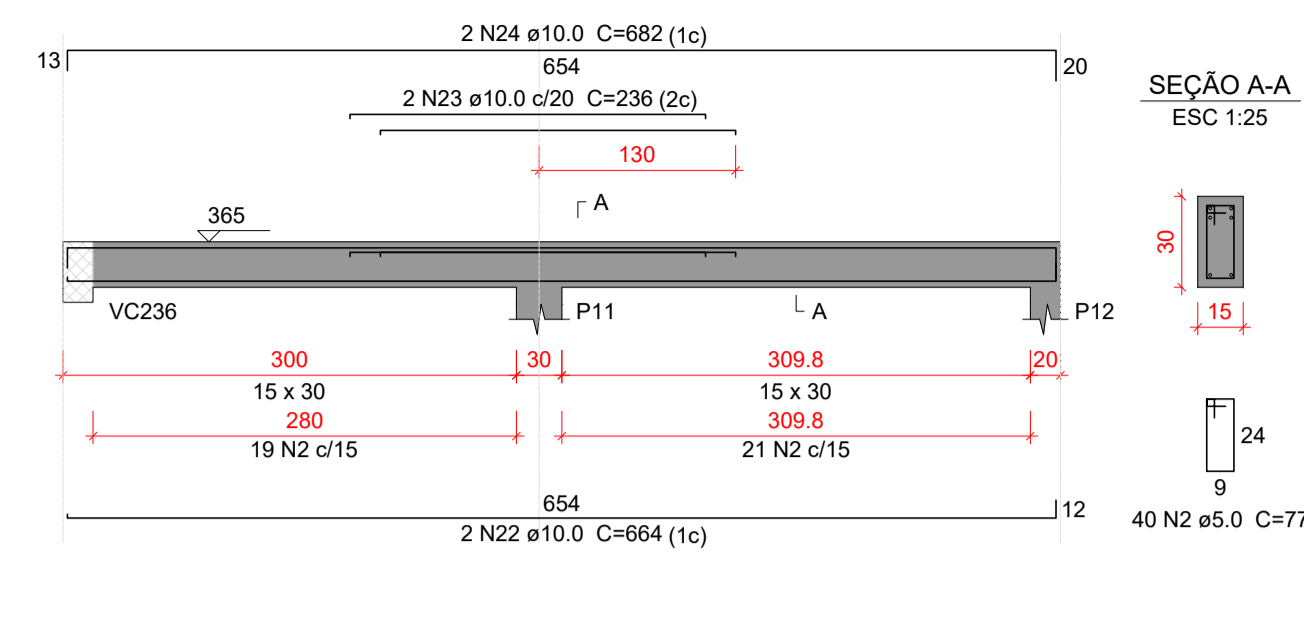
VC201
ESC 1:50



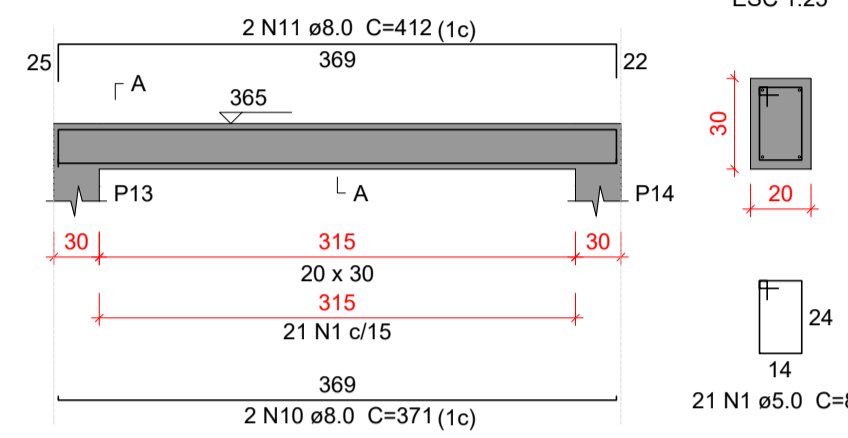
VC202
ESC 1:50



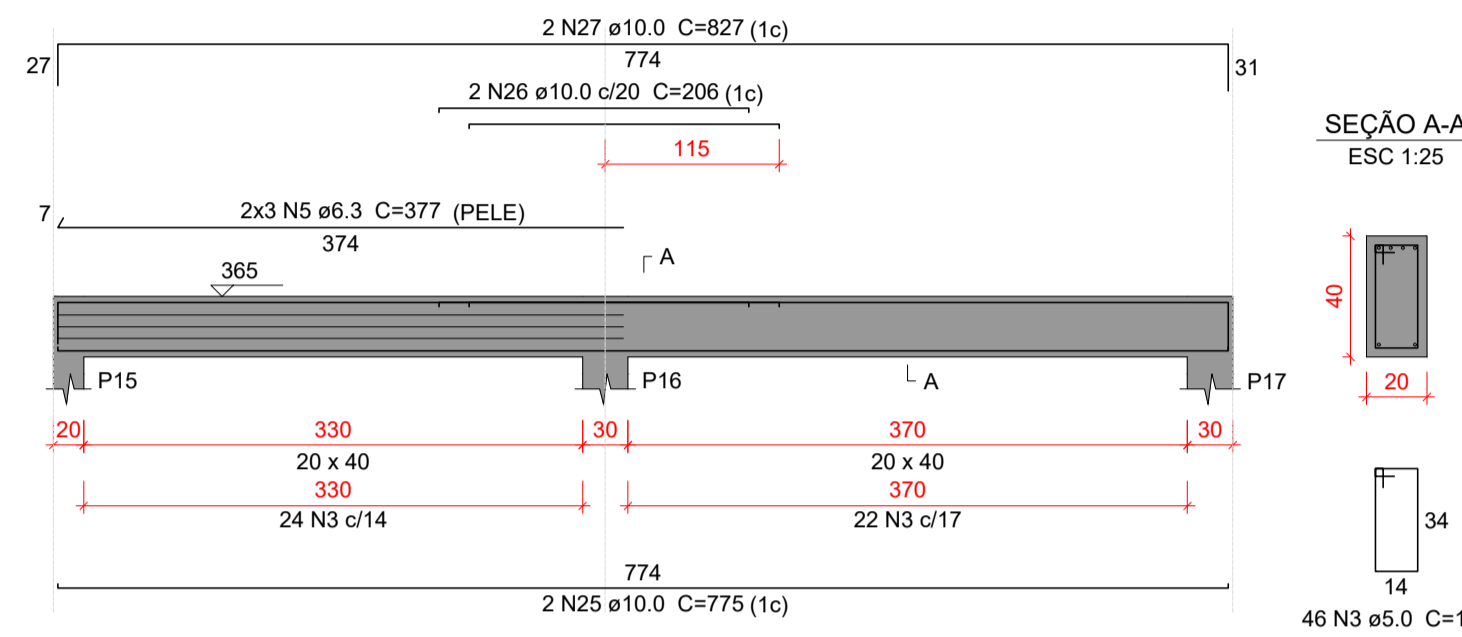
VC203
ESC 1:50



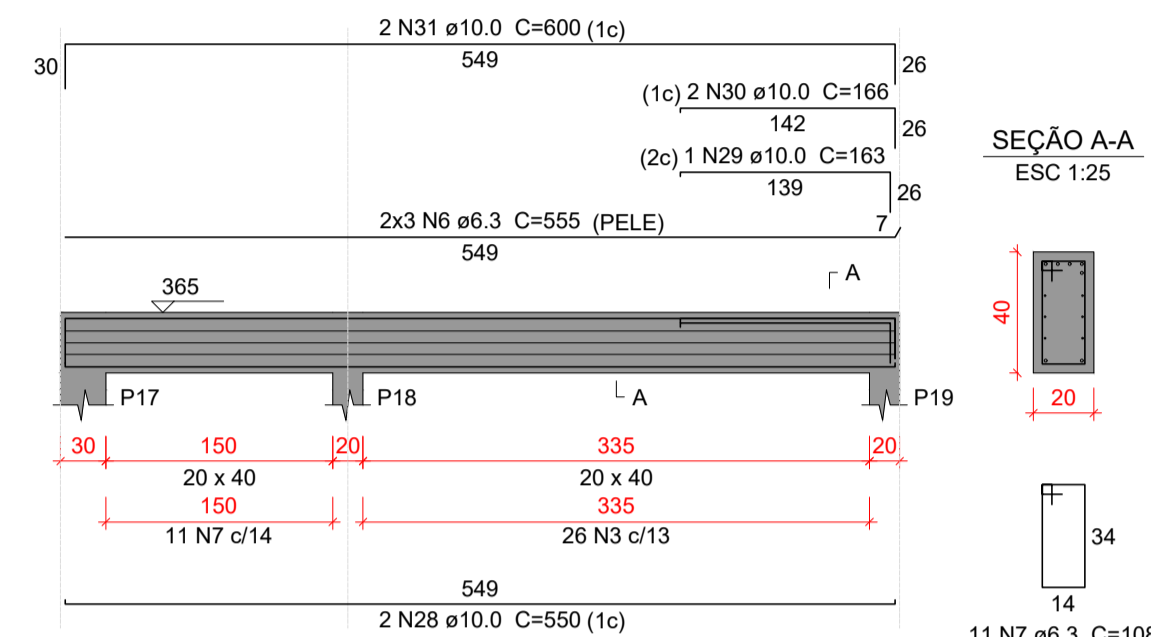
VC204
ESC 1:50



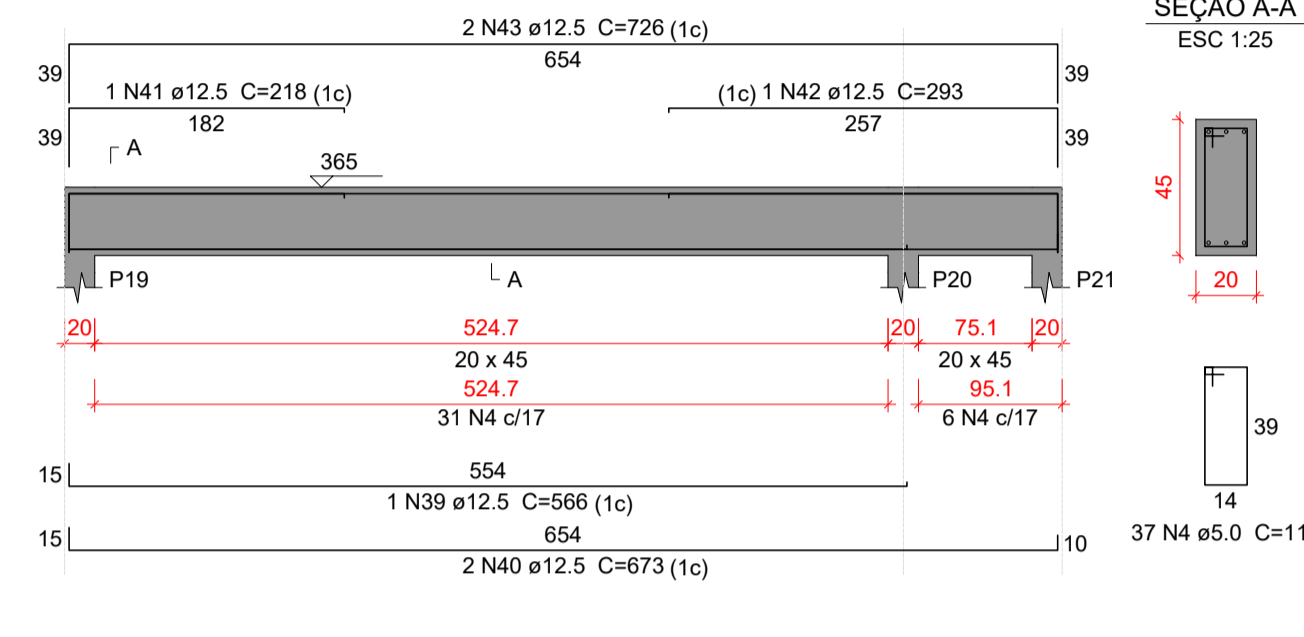
VC205
ESC 1:50



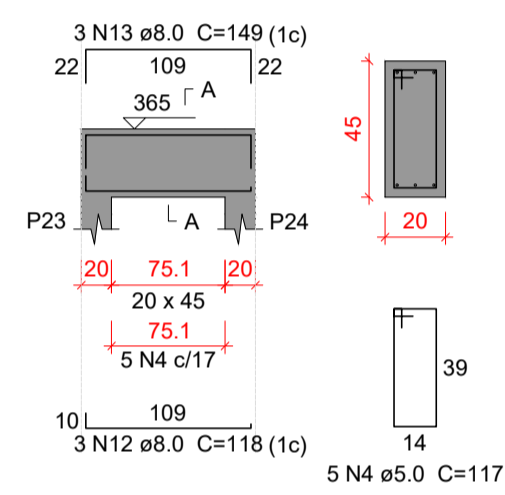
VC206
ESC 1:50



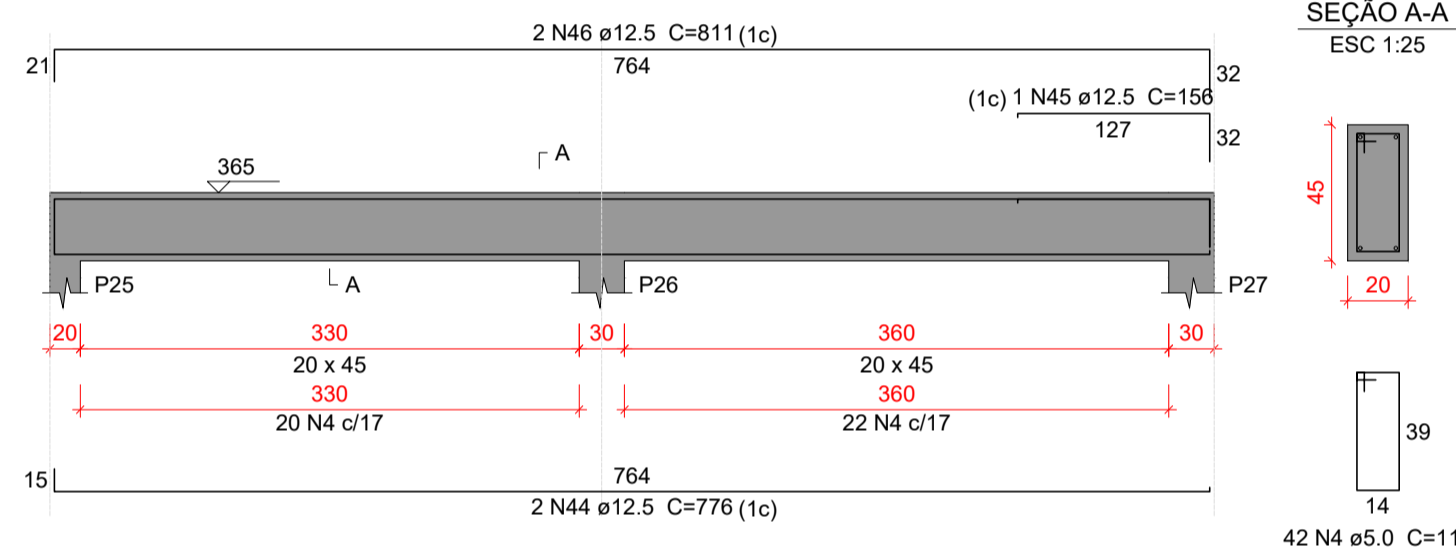
VC207
ESC 1:50



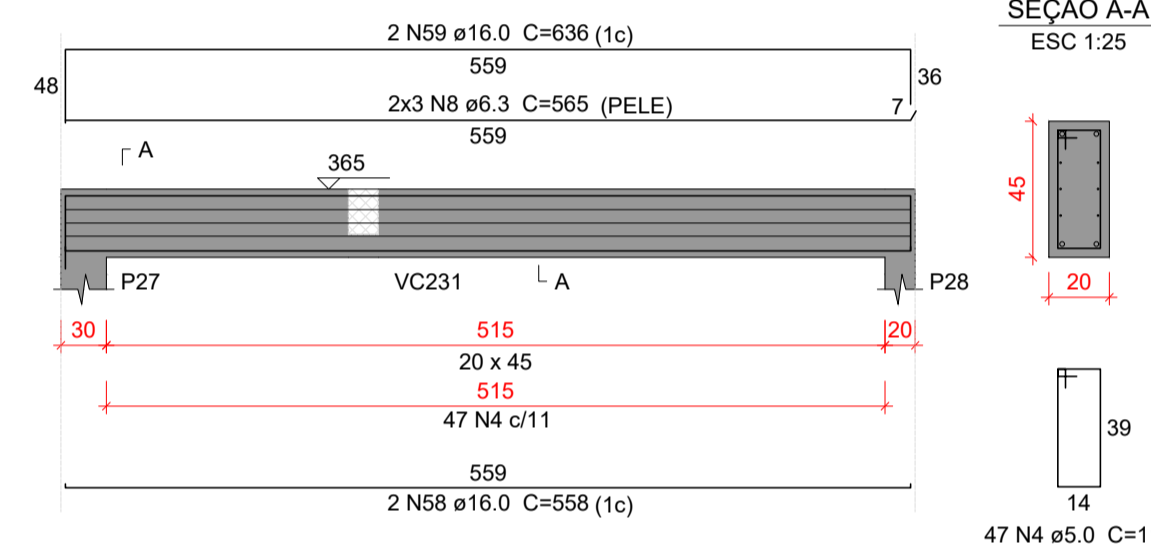
VC208
ESC 1:50



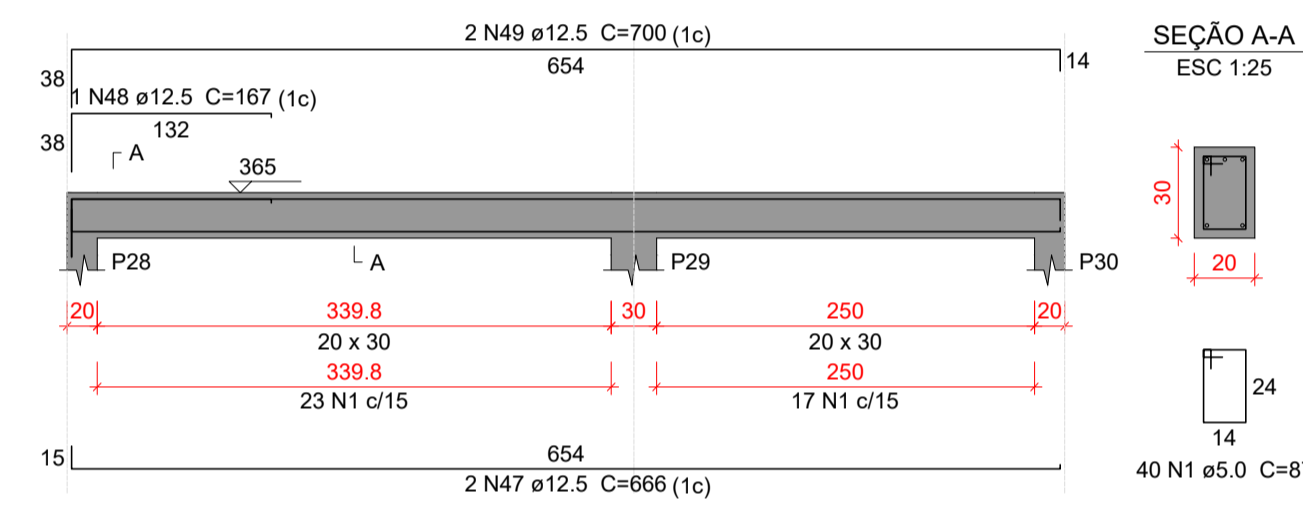
VC209
ESC 1:50



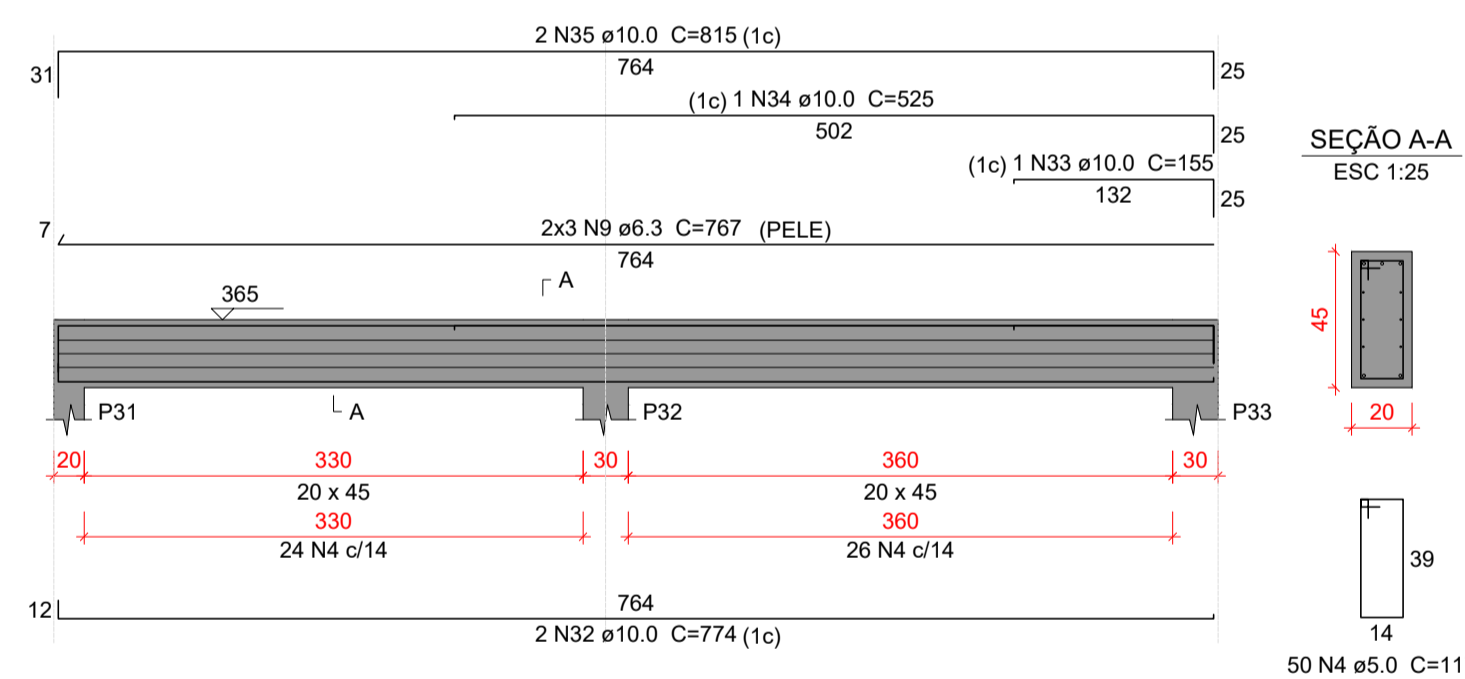
VC210
ESC 1:50



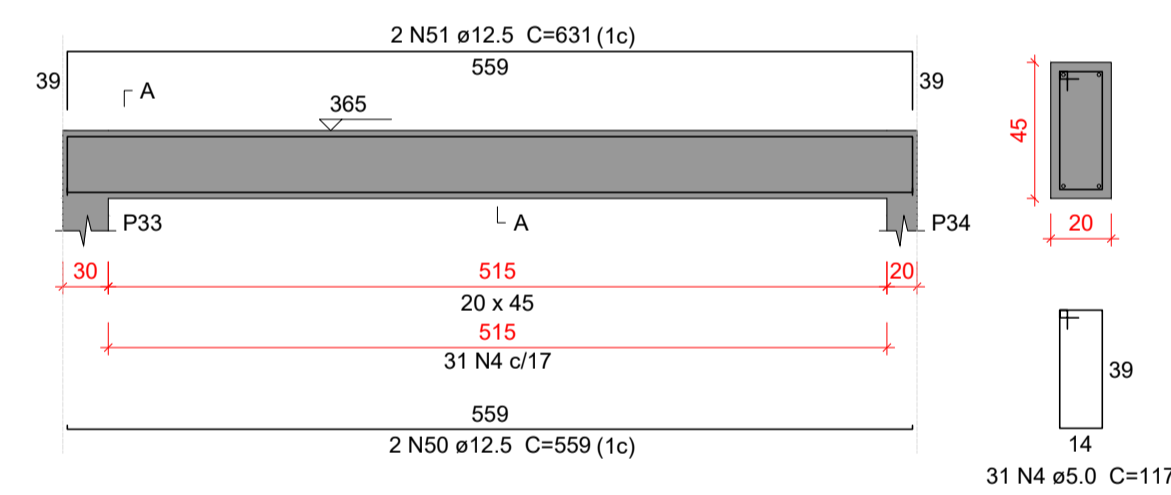
VC211
ESC 1:50



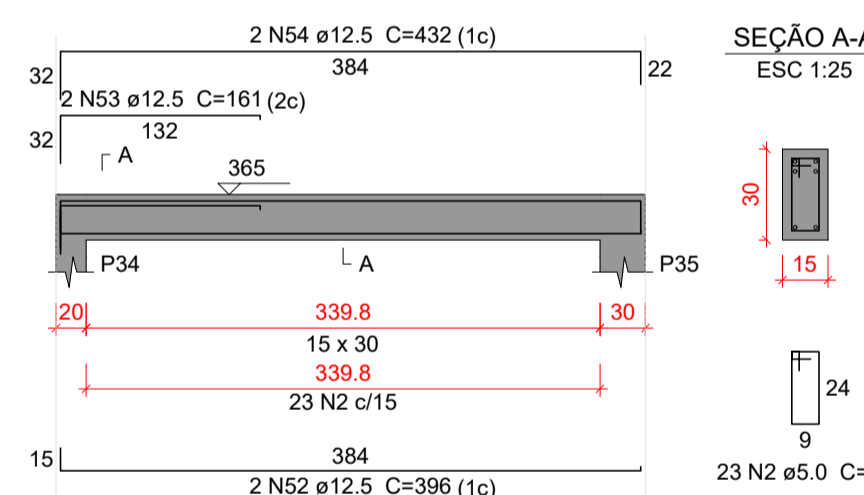
VC212
ESC 1:50



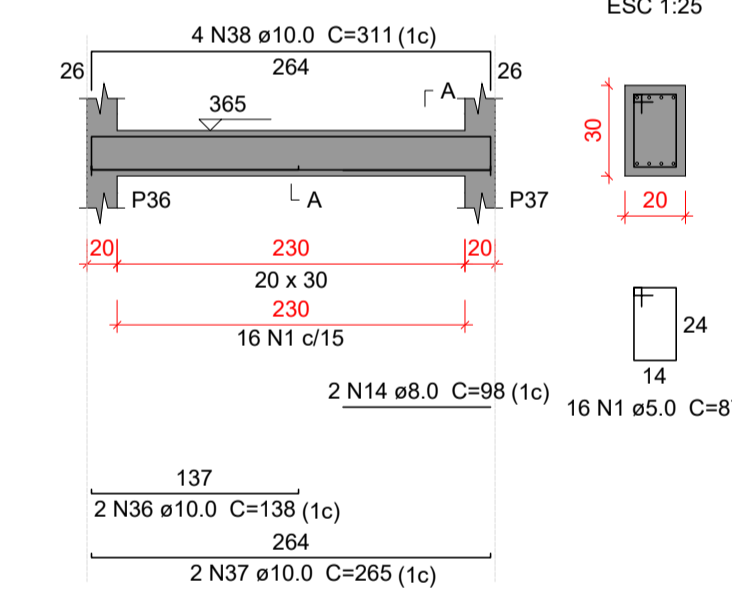
VC213
ESC 1:50



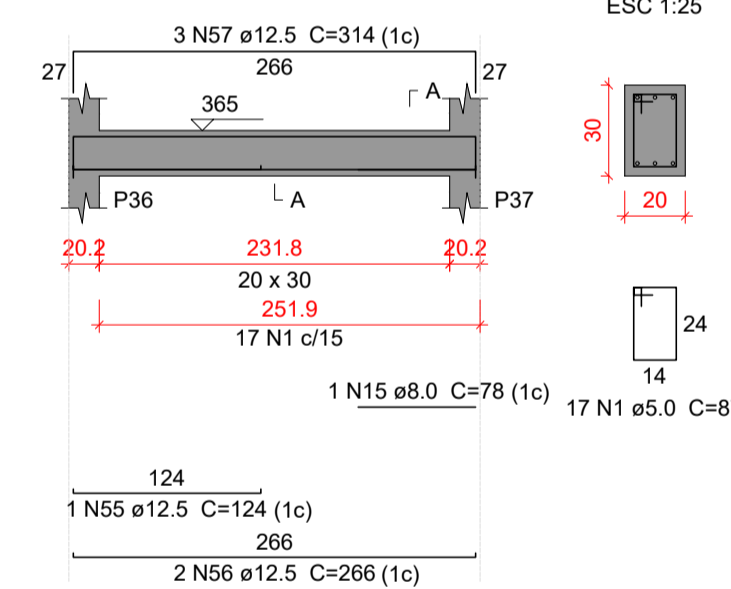
VC214
ESC 1:50



VC215
ESC 1:50



VC216
ESC 1:50



Relação do aço

VC201	VC202	VC203	VC204	VC205	VC206	VC207	VC208	VC209	VC210	VC211	VC212	VC213	VC214	VC215	VC216	
CA60	1	5.0	220	87	19140	1	5.0	87	19140	1	5.0	87	19140	1	5.0	87
CA50	2	5.0	63	77	4851	2	5.0	77	4851	2	5.0	77	4851	2	5.0	77
	3	5.0	72	107	7704	3	5.0	107	7704	3	5.0	107	7704	3	5.0	107
	4	5.0	212	117	24804	4	5.0	212	117	24804	4	5.0	212	117	24804	4
	5	6.3	6	377	2262	5	6.3	6	377	2262	5	6.3	6	377	2262	5
	6	6.3	6	555	3330	6	6.3	6	555	3330	6	6.3	6	555	3330	6
	7	6.3	11	108	1188	7	6.3	11	108	1188	7	6.3	11	108	1188	7
	8	6.3	6	565	3390	8	6.3	6	565	3390	8	6.3	6	565	3390	8
	9	6.3	6	767	4602	9	6.3	6	767	4602	9	6.3	6	767	4602	9
	10	8.0	2	371	742	10	8.0	2	371	742	10	8.0	2	371	742	10
	11	8.0	2	412	824	11	8.0	2	412	824	11	8.0	2	412	824	11
	12	8.0	3	118	354	12	8.0	3	118	354	12	8.0	3	118	354	12
	13	8.0	3	149	447	13	8.0	3	149	447	13	8.0	3	149	447	13
	14	8.0	2	98	196	14	8.0	2	98	196	14	8.0	2	98	196	14
	15	8.0	1	78	78	15	8.0	1	78	78	15	8.0	1	78	78	15
	16	10.0	4	1010	4040	16	10.0	4	1010	4040	16	10.0	4	1010	4040	16
	17	10.0	1	743	743	17	10.0	1	743	743	17	10.0	1	743	743	17
	18	10.0	2	1034	2068	18	10.0	2	1034	2068	18	10.0	2	1034	2068	18
	19	10.0	1	196	196	19	10.0	1	196	196	19	10.0	1	196	196	19
	20	10.0	1	516	516	20	10.0	1	516	516	20	10.0	1	516	516	20
	21	10.0	2	1040	2080	21	10.0	2	1040	2080	21	10.0	2	1040	2080	21
	22	10.0	2	664	1328	22	10.0	2	664	1328	22	10.0	2	664	1328	22
	23	10.0	2	236	472	23	10.0	2	236	472	23	10.0	2	236	472	23
	24	10.0	2	682	1364	24	10.0	2	682	1364	24	10.0	2	682	1364	24
	25	10.0	2	775	1550	25	10.0	2	775	1550	25	10.0	2	775	1550	25
	26	10.0	2	206	412	26	10.0	2	206	412	26	10.0	2	206	412	26
	27	10.0	2	827	1654	27	10.0	2	827	1654	27	10.0	2	827	1654	27
	28	10.0	2	550	1100	28	10.0	2	550	1100	28	10.0	2	550	1100	28
	29	10.0	1	163	163	29	10.0	1	163	163	29	10.0	1	163	163	29
	30	10.0	2	166	332	30	10.0	2	166	332	30	10.0	2	166	332	30
	31	10.0	2	600	1200	31	10.0	2	600	1200	31	10.0	2	600	1200	31
	32	10.0	2	774	1548	32	10.0	2	774	1548	32	10.0	2	774	1548	32
	33	10.0	1	155	155	33	10.0	1	155	155	33	10.0	1	155	155	33
	34	10.0	1	525	525	34	10.0	1	525	525	34	10.0	1	525	525	34
	35	10.0	2	815	1630	35	10.0	2	815	1630	35	10.0	2	815	1630	35
	36	10.0	2	138	276	36	10.0	2	138	276	36	10.0	2	138	276	36
	37	10.0	2	265	530	37	10.0	2	265	530	37	10.0	2	265	530	37
	38	10.0	4	311	1244	38	10.0	4	311	1244	38	10.0	4	311	1244	38
	39	12.5	1	566	566	39	12.5	1	566	566	39	12.5	1	566	566	39
	40	12.5	2	673	1346	40	12.5	2	673	1346	40	12.5	2	673	1346	40
	41	12.5	1	218	218	41	12.5	1	218	218	41	12.5	1	218	218	41
	42	12.5	1	293	293	42	12.5	1	293	293	42	12.5	1	293	293	42
	43	12.5	2	726	1452	43	12.5	2	726	1452	43	12.5	2	726	1452	43
	44	12.5	2	776	1552	44	12.5	2	776	1552	44	12.5	2	776	1552	44
	45	12.5	1	156	156	45	12.5	1	156	156	45	12.5	1	156	156	45
	46	12.5	2	811	1622	46	12.5	2	811	1622	46	12.5	2	811	1622	46
	47	12.5	2	686	1372	47	12.5	2	686	1372	47	12.5	2	686	1372	47
	48	12.5	1	167	167	48	12.5	1	167	167	48	12.5	1	167	167	48
	49	12.5	2	700	1400	49	12.5	2	700	1400	49	12.5	2	700	1400	49
	50	12.5	2	559	1118	50	12.5	2	559	1118	50	12.5	2	559	1118	50
	51	12.5	2	631	1262	51	12.5	2	631	1262	51	12.5	2	631	1262	51
	52	12.5	2	396	792	52	12.5	2	396	792	52	12.5	2	396	792	52
	53	12.5	2	161	322	53	12.5	2	161	322	53	12.5	2	161	322	53
	54	12.5	2	432	864	54	12.5	2	432	864	54	12.5	2	432	864	54
	55	12.5	1	124	124	55	12.5	1	124	124	55	12.5	1	124	124	55
	56	12.5	2	266	532	56	12.5	2	266	532	56	12.5	2	266	532	56
	57	12.5	3	314	942	57	12.5	3	314	942	57	12.5	3	314	942	57
	58	16.0	2	558	1116	58	16.0	2	558	1116	58	16.0	2	558	1116	58
	59	16.0	2	636	1272	59	16.0	2	636	1272	59	16.0	2	636		